



ISI-271THN

W x D x H inch(mm)
15" (380) x 38" (972) x 39" (988)



Feature



SIMPLICITY



PERFORMANCE



RELIABILITY



EXCELLENT TASTE



Direct Motor Drive (operation)

Less noise & Less vibration



Agitator operation

Keep ice cream mix liquid separation / Circulate the ice cream mix evenly for temperature maintenance



Heat Treatment System (Pasteurization)

Pasteurization involves heating dairy products for a period of time to kill bacteria, maintaining dairy products up to two weeks. You can also choose an automatic or manual pasteurization system.



Mix Hopper

One, 12.5 liter (3.3 gallon) / Maintain the temperature of mix, under 5°C (41°F) in Auto & Standby modes



Artificial Intelligence Control System

A.I Control System makes high quality soft serve ice cream.



Powerful Production Capacity

Oversized compressor cuts down on production time.



Freezing Cylinder

One, 2.7 liter (0.72 gallon) x 1EA



Various Function

Defrost / Regeneration / Boiling Function

Dimensions

Dimensions	Net	Gross
Width	15" (380 mm)	16" (409 mm)
Depth	38" (972 mm)	38" (969 mm)
Height	39" (988 mm)	42" (1,077 mm)
Weight	287 lbs (130 kg)	331 lbs (150 kg)

Certification



7, GEOMDAN-RO 54BEON-GIL, SEO-GU, INCHEON, KOREA

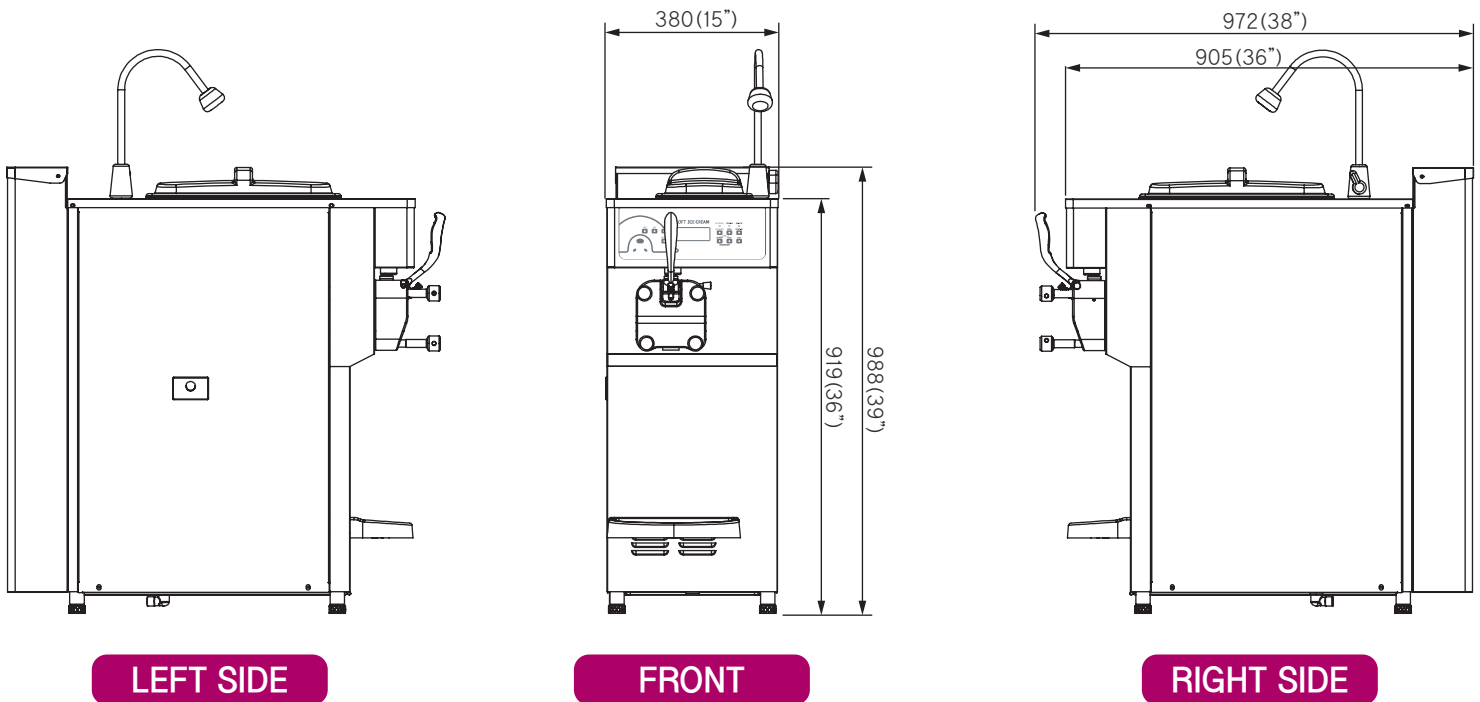
• TEL : +82-32-814-2160 Ext. 210, 220 • FAX : +82-32-814-1798

• WEB : www.icetro.com • E-mail : sales@icemaker.co.kr



PREMIUM HEAT TREATMENT TABLE TYPE SOFT ICE CREAM MACHINE

Dimension – Unit : mm (inch)



LEFT SIDE

FRONT

RIGHT SIDE

Specification

Model	Mix Hopper Capacity	Cylinder Capacity	Consecutive Dispensing	Dasher Motor	Max. Production
ISI-271THN	12.5 liter (3.3 gallon)	2.7 liter (0.72 gallon)	∞ cups (100 cc/3.5 oz)	0.65 KW	13 kg (29 lbs/h)
	First Dispensing	Power Consumption	Compressor Capacity	Cooling System	Electrical Option
	6~8 min	2,200 W	1.5 HP (R-404A)	Air-Cooled	230V/50Hz/1PH 220V/60Hz/1PH

※ Production Capacity may vary depending on ambient temperature.

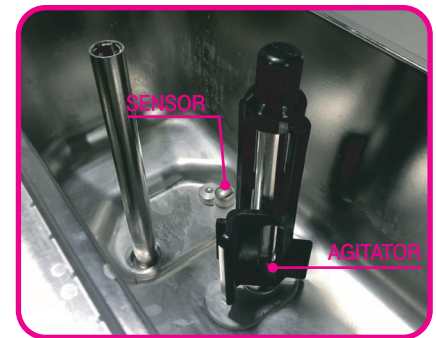
Detail View



Simple & Easy to access operating / control system on the front LCD touch panel



Pull out to remove the Air filter at the bottom of the front side



Agitator Operation
Automatically Detect MIX OUT & MIX LOW by the sensor

※ Design and Specification are subject to change without notice.