



SCI-035



W x D x H

inch(mm)

16" (407) x 18" (463) x 31" (770)

Feature

- 80 lbs(36 kg) daily Ice production / 29 lbs(13 kg) Ice storage capacity
- Compact Design with Powerful Performance :
Space saving solution
- Designed for easy installation and service
- Simple & Easy to access Front Air filter for cleaning and maintenance
- Easy maintenance by quick disassembling
- Simple control, convenient, reliable and long lasting
- Power switch accessible without panel removal
- High reliability and low maintenance expense
- High density urethane foaming insulation keeps higher rigidity of the ice
- Includes ice scoop and adjustable legs
- 304 Durable Stainless steel Construction
- Unique Gourmet (bell) shape with Crystal-Clear & Slow-Melting
- R-134A Refrigerant

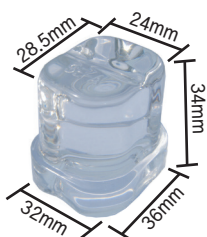
Dimensions

Dimensions	Net	Gross
Width	16" (407 mm)	17" (425 mm)
Depth	18" (463 mm)	20" (500 mm)
Height	31" (770 mm)	32.3" (820 mm)
Weight	85 lbs(39 kg)	91.5 lbs(41.5 kg)

Operating Limits

Ambient Temp Range	10 ~ 38 °C (50 ~ 100 °F)
Water Temp Range	10 ~ 32 °C (50 ~ 90 °F)
Water Pressure	20 ~ 80 psi (1.38 ~ 5.52 bar)
Voltage Range	±10% from regular voltage

Ice Dimension



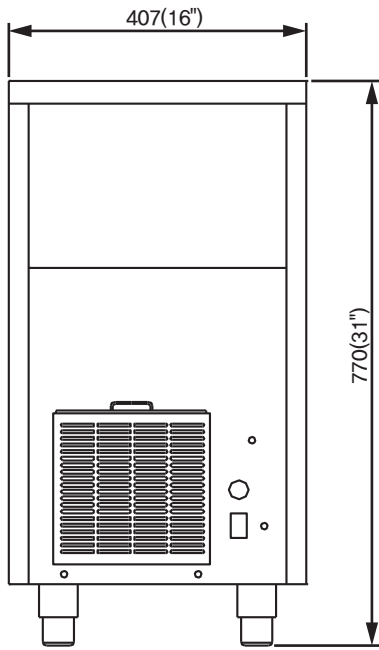
GOURMET
32 x 36 x 34 (mm)
1¼ x 1⅜ x 1⅓ (inch)

Certification

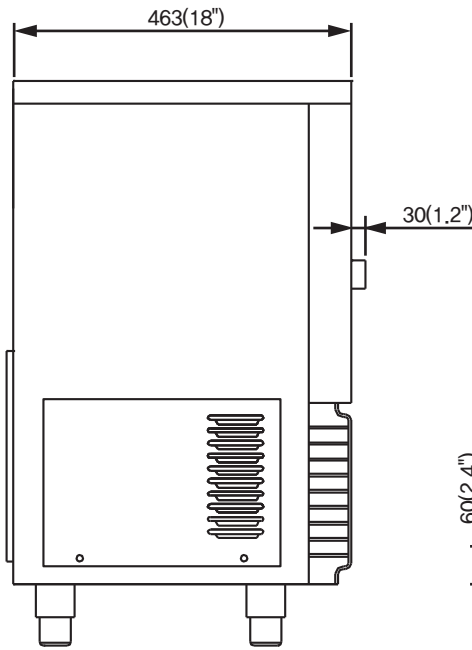


UNDERCOUNTER GOURMET ICE MACHINE

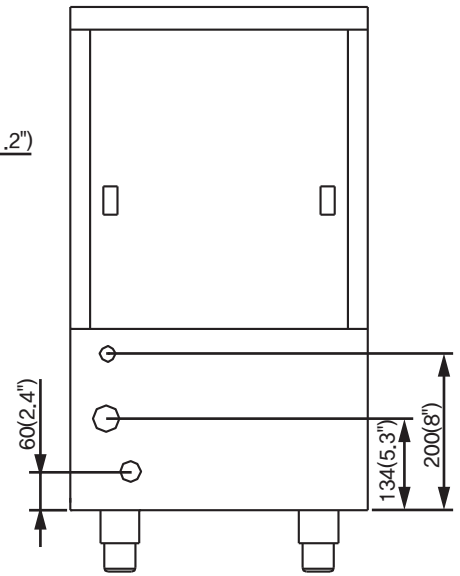
Dimension – Unit : mm(inch)



FRONT



SIDE



BACK

Specification

Model	Condenser	Ice Type	Ice Production 24 Hours		Power Consumption	Electrical Option	Water Usage gal/100 lbs. @90°/70°F (32°/21°C)	Power kWh/100 lbs. @90°/70°F (32°/21°C)	BTUs per hour
			Air/Water 21°C(70°F)/10°C(50°F)	Air/Water 32°C(90°F)/21°C(70°F)					
SCI-035	Air-Cooled	GOURMET	80 lbs(36 kg)	57.32 lbs(26 kg)	450 W(±10 %)	208~230V/60Hz/1PH 220~240V/50Hz/1PH 115V/60Hz/1PH	25	11.21	1,600

Detail View



Easy to remove Air filter at the front



Power switch at the bottom right



Front In / Rear Out Air flow

※ Design and Specification are subject to change without notice.